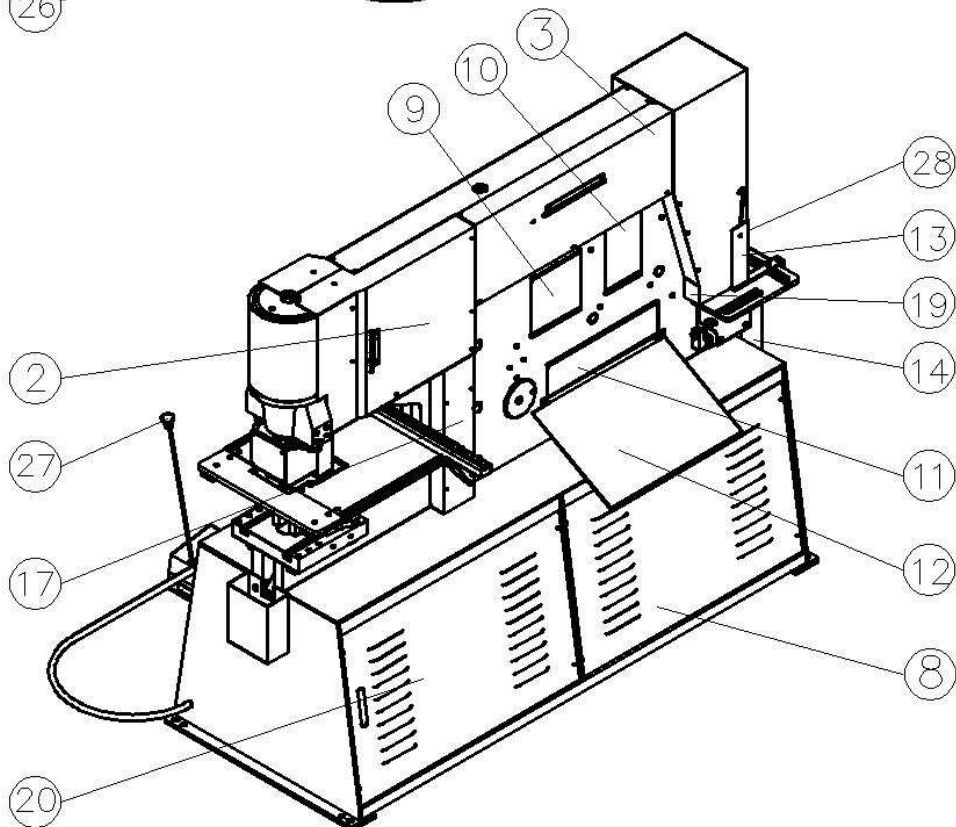
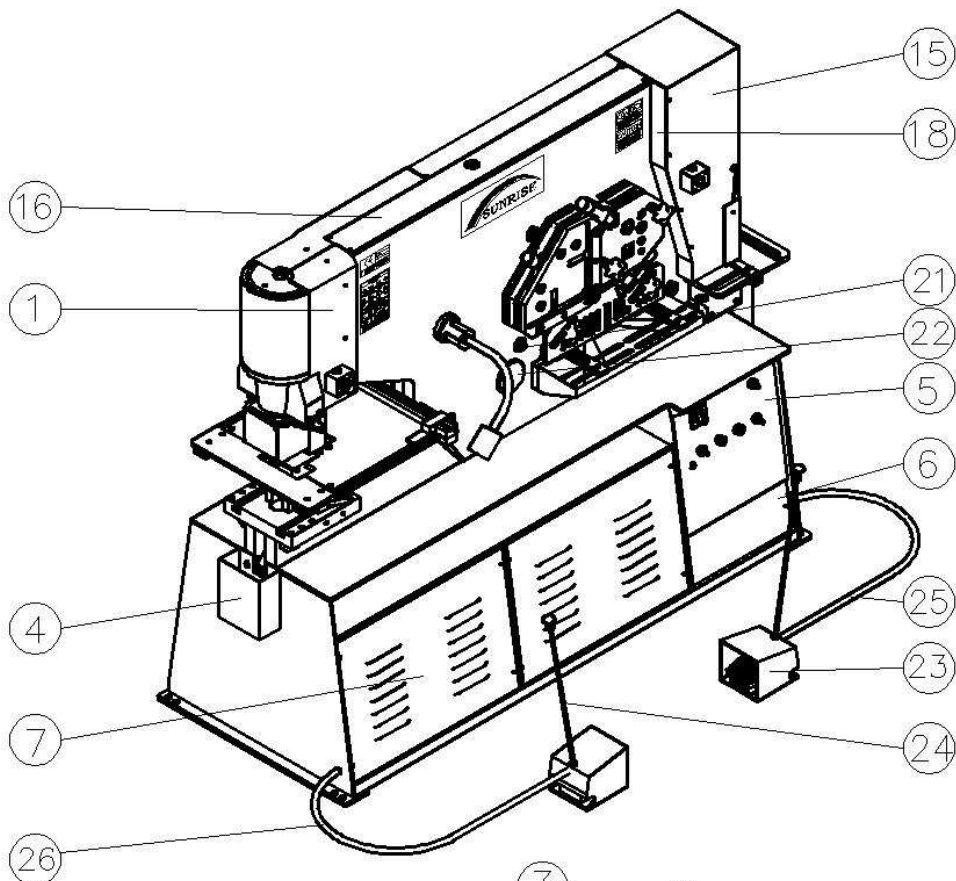


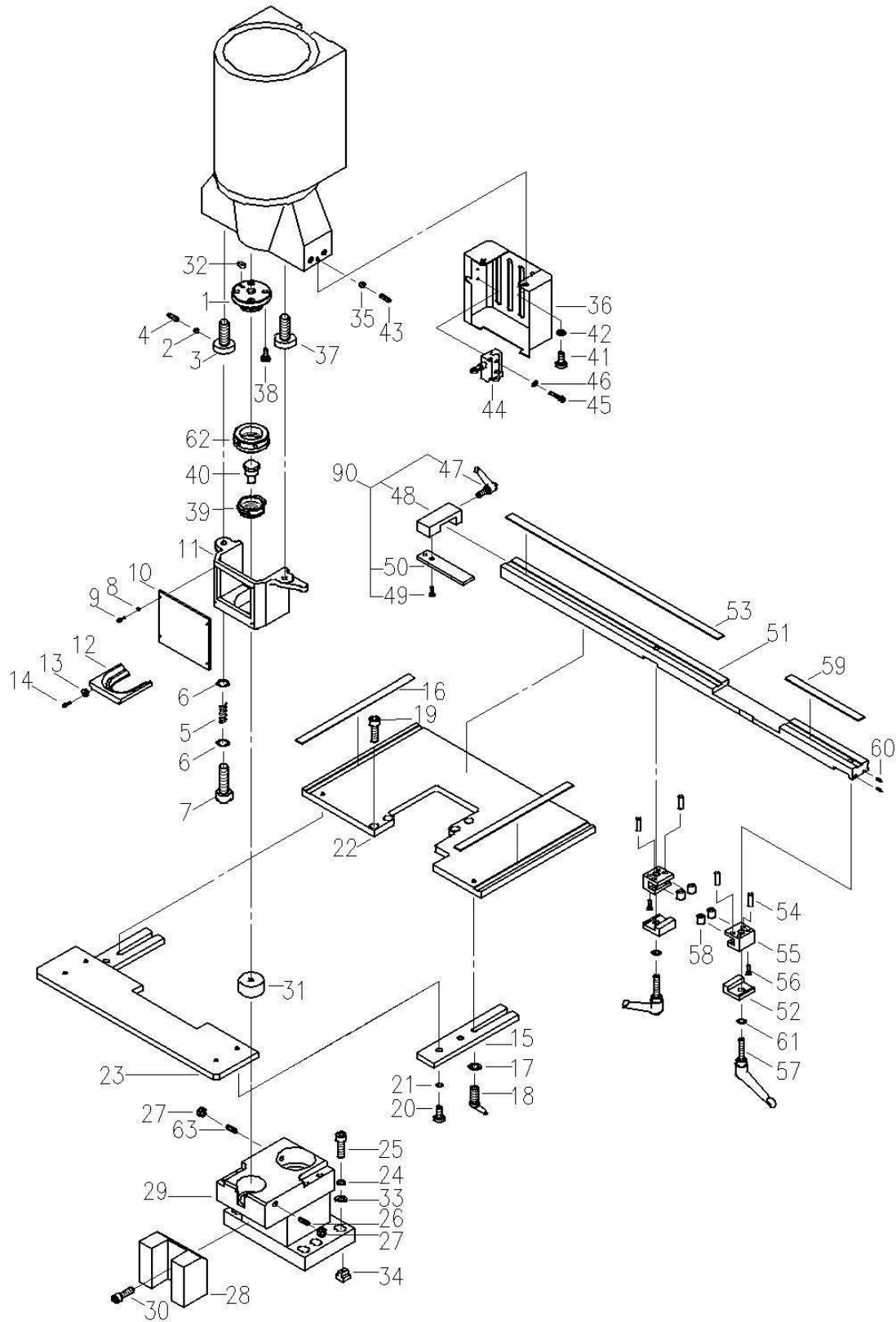
# IW - 100S/SD



Model: IW-100S/ SDPart: Cover PlatesDate: 02/2012

Item	Part Number	Description	產品名稱	Q'ty	Memo
1	213402005C	Punching Cylinder Cover A	沖孔油壓缸護蓋 A	1	
2	100S: 213402030 100SD: 213502009	Punching Cylinder Cover B	沖孔油壓缸護蓋 B	1	
3	100S: 213402007B 100SD: 213502006B	Shearing Limit Switch Cover	剪切限動調整護蓋	1	
4	211302021A	Scrap Box For Punching	沖孔鐵屑盒	1	
5	213602902A	213602023E 213602024A 212602019B 52414APL93902	Electrical Box	1	
6	213402003A	Front Base Cover	電氣箱底座護蓋	1	
7	100S: 213402001A 100SD: 213502003A	Front Base Cover	底座前蓋	1 2	
8	100S: 213402002 100SD: 213502002	Rear Base Cover A	底座後蓋 A	1	
9	213402015	Safety Guard for Angle Shear	剪角鐵護板	1	
10	213402017	Safety Guard for Bar Shear	剪圓方護板	1	
11	213402016	Safety Guard for Flat Shear	剪平板護板	1	
12	213402018A	Flat Bar Shear Back Plate	滑料片	1	
13	213402033B	Safety Guard For Notching	剪角安全護板	1	
14	211302022	Scrap Box For Notching	剪角鐵屑盒	1	
15	213402032B	Notching Cylinder Cover	剪角油壓缸護蓋	1	
16	100S: 213402004C 100SD: 213502007C	Top Cover	上護蓋	1	
17	213402027	Hose Cover	配管套蓋(電動定位尺)	1	
18	213402009	Notching Side Cover A (Front)	護蓋固定板 A (前)	1	
19	213402010	Notching Side Cover B (Rear)	護蓋固定板 B (後)	1	
20	100S: 213402019 100SD: 213502004	Rear Base Cover B	底座後蓋 B	1	
21	213410005 211310008B	Adjust Pushing Screw Adjust Pushing Nut	壓塊固定螺絲 壓塊固定螺帽	5	
22	213410001A	Main Pivot Pin	支持點心軸	1	
23	52413YC135D	Foot Switch YC-135D(CE)	腳踏開關	2	
24	213210008	Foot Switch Handle	腳踏開關提桿	2	
25	56320G0061300A	Foot Switch Cable 3/8"X1300mm	電線保護管 1300mm	1	
26	56320G0061400A	Foot Switch Cable 3/8"X1400mm	電線保護管 1400mm	1	
27	56314118036M10	Waist Shaped Knobs 1180-36-M10	凹槽式旋鈕	2	
28	213402034	Notching Clear Cover	剪角壓克力護板	1	

# Punching Station Assembly for Double Cylinder Models



**Model: IW-100S/SD, 125S/SD,165SD Part:Punching Station Date: 02/2012**

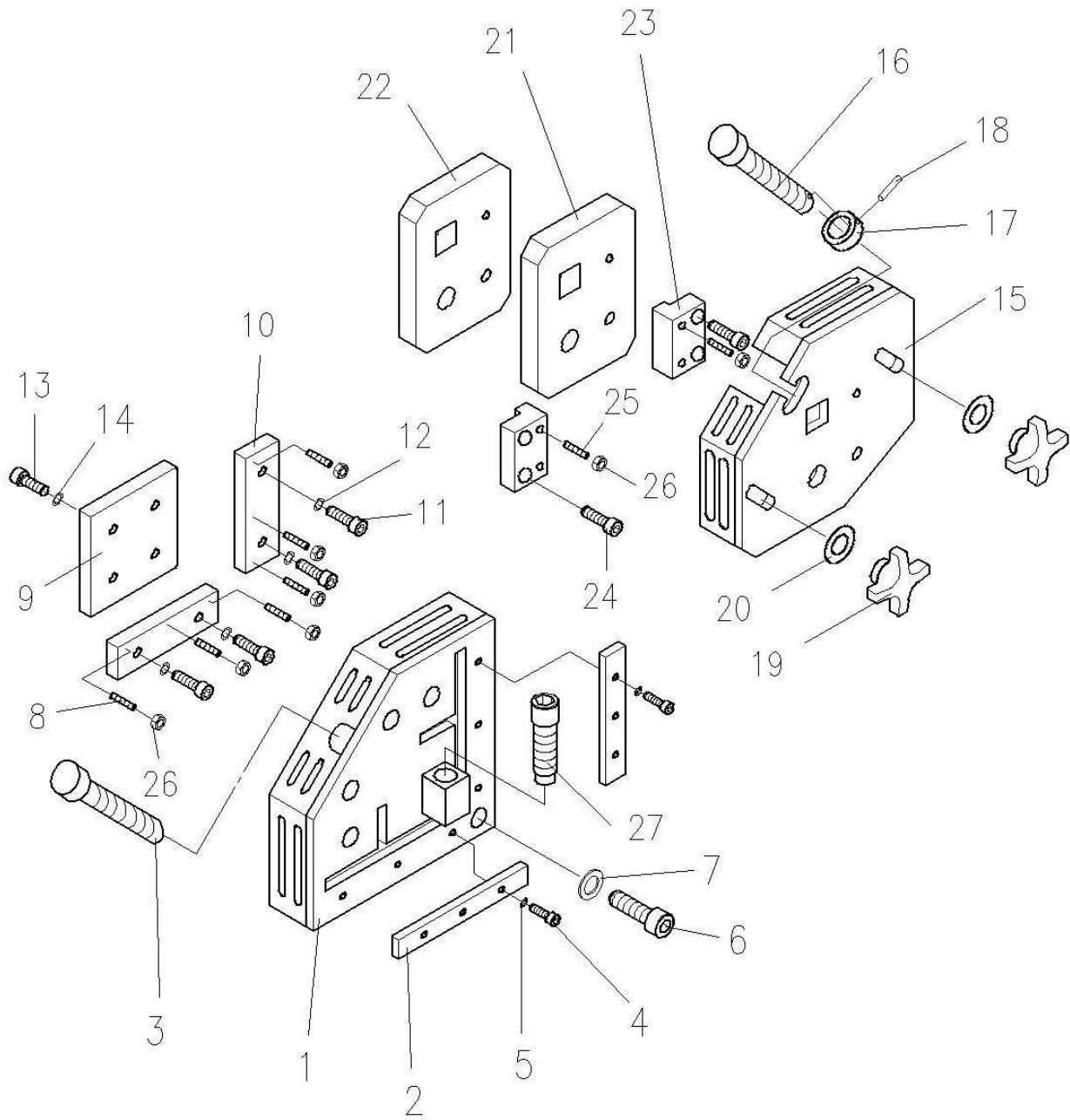
Item	Part Number	Description	產品名稱	Q'ty	Memo
1	42RTBQA	Retaining Thread	螺紋塊	1	
2	211305090	212211009	Copper Piece	銅墊	1
3		211305005B	Stripper Adj. Screw (2)	剝料器調整螺桿(二)	1
4		56301C0006010	Set Screw M6X10	止付內六角螺栓	1
5		211305006	Stripper Spring	沖孔剝料器彈簧	1
6		56303D00012024045	Flat Washer M12	平墊圈	2
7		56301A0012090	Hex Bolt M12X90	六角承窩頭螺栓	1
8		42STBD	56303A00005	Spring Washer M5	彈簧墊圈
9	56301A0005012		Hex Bolt M5X12	六角承窩頭螺栓	4
10	42STBC002		Stripper Clear Cover	剝料器安全護板	1
11	42STBC006A		Stripper	沖孔剝料器	1
12	42STBC003A-20 42STBC003A-42 42STBC003A-52		Stripper Exchangeable Plate	剝料器底板	1
13	42STBC004		Washer	墊片	2
14	56301I0005008		Cap Screw M5X8	半圓內六孔	2
15	212205005C		Table Connecting Plate	工作板組合塊	2
16	S: 213405110 SD: 213505110	S: 213005006A SD: 213105002A	Punching Table Ruler 306mm Punching Table Ruler 506mm	沖孔工作板Y軸標尺	2
17		56303B11012025	Flat Washer M10	平墊圈	2
18		56315404192M1032	Clamp Handle M10X32	萬向把手	2
19		56301A0010020	Hex Bolt M10X20	六角承窩頭螺栓	4
20		56301A0010030	Hex Bolt M10X30	六角承窩頭螺栓	4
21		56303A00010	Spring Washer M10	彈簧墊圈	4
22		S: 213005001C SD: 213105001D	Punching Table A (Main)	沖孔工作板(A)	1
23		213405001A	Punching Table B (Front)	沖孔工作板(B)	1
24		56303A00016	Spring Washer M16	彈簧墊圈	6
25		56301A0016060	Hex Bolt M16X60	六角承窩頭螺栓	6
26	56301C7010060	Set Screw M10X60	止付內六角螺栓	1	
27	56302B0110	Nut M10	螺帽	2	
28	43B3DMWC	43B1D005A	Die Holder Support	下模座支持塊	1
29		43B3DMW900D	Overhang Die Holder (Ø45/Ø80)	雙孔沖孔座	1
30		56301A0012020	Hex Bolt M12X20	六角承窩頭螺栓	1

**Model: IW-100S/SD, 125S/SD, 165SD Part: Punching Station Date: 02/2012**

Item	Part Number	Description	產品名稱	Q'ty	Memo	
31	41RD1	Die	圓孔下模	1		
32	56305D00606018	Locating Key	雙頭圓鍵	1		
33	56303D00016032045	Flat Washer M16	平墊圈	6		
34	213405005	T-Shaped Nut M16	T形螺帽	6		
35	213205010	Copper Piece	銅墊	2		
36	213202034	Stripper Rear Guard	剝料器護板	1		
37	211305004B	Stripper Adj. Screw (1)	剝料器調整螺桿(一)	1		
38	56301A0012025	Hex Bolt M12X25	六角承窩頭螺栓	4		
39	42RSBQ30A 42RSBQM40B 42RSBQM50B	Quick Change Sleeve	快拆上模套環	1		
40	41RP1	Punch	圓孔上模	1		
41	56301A0006010	Hex Bolt M6X10	六角承窩頭螺栓	2		
42	56303A00006	Spring Washer M6	彈簧墊圈	2		
43	56301C0010020	Set Screw M10X20	止付內六角螺栓	2		
44	52411TZ7312	Limit Switch	微動開關	1		
45	56301A0004025	Hex Bolt M4X25	六角承窩頭螺栓	2		
46	56303B10005010	Flat Washer M4	平墊圈	2		
47	213005141	56315404163M1020	Clamp Handle M10X20	萬向把手	1	
48		213205004	Stopper Piece	X軸定位板	1	
49		56301F0006016	Sunk Head Hex Bolt M6X16	皿頭六角承窩螺栓	2	
50		212205007S1	Stopper Piece	沖孔定位塊	1	
51		213205018B	Punching Stopper Guide	Y軸定位板	1	
52		213205020	Stopper Guide Base	定位板固定滑塊	2	
53		213005015	Punching Stopper Guide Ruler 602.5mm	Y軸定位尺標尺(左)	1	
54		56306R0080030	Pin Ø8X30	直銷 Ø8X30	4	
55		213205019	Stopper Y-axis Guide	Y軸定位滑座	2	
56		56301A4006030	Hex Bolt M6X30	六角承窩頭螺栓	4	
57		56315404192M1050	Clamp Handle M10X50	萬向把手	2	
58		56309DTA815	Needle Bearing TA815	滾針軸承 TA815	4	
59		213005014	Punching Stopper Guide Ruler 207.5mm	Y軸定位尺標尺(右)	1	
60		56301C0005008	Set Screw M5X8	止付內六角螺栓	2	
61		56303B11012025	Flat Washer M10	平墊圈	2	



# Angle and Bar Shear Station for Double Cylinder Models

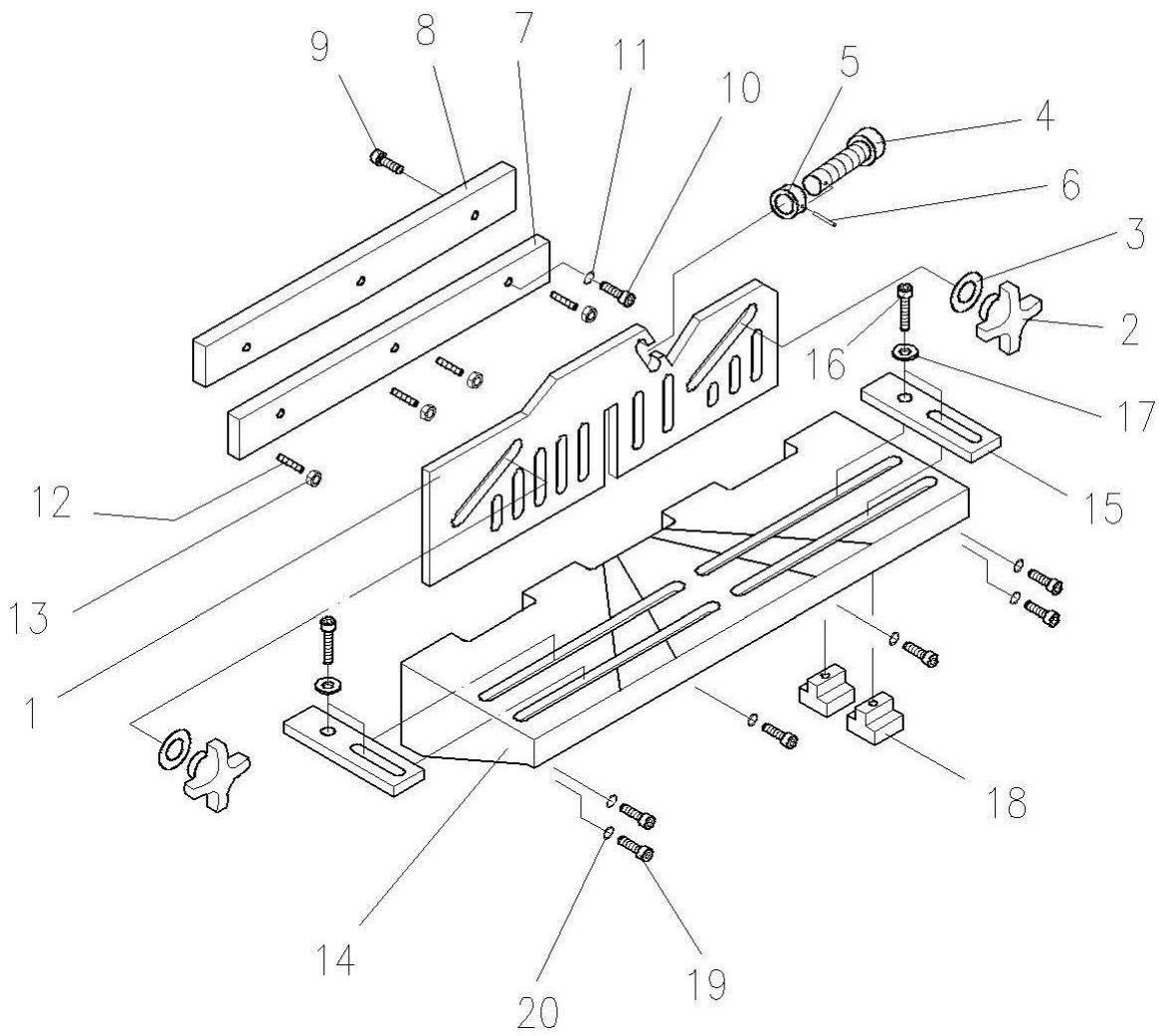


Model: **IW-100S/SD** Part: **Angle and Bar Shear Station** Date: 02/2012

Item	Part Number		Description	產品名稱	Q'ty	Memo
1	213407900B	213407001	Angle Shear Holddown	角鐵剪切座	1	
		213007004				
		213402013C				
		213402014B				
		213207005A				
2	212407004A		Angle Holddown Adjusting Plate	L型鐵座調整塊	2	
3	212410008		Angle Holddown Screw	L型鐵座調整螺桿	1	
4	56301A0010025		Hex Bolt M10X25	六角承窩頭螺栓	6	
5	56303A00010		Spring Washer M10	彈簧墊圈	6	
6	56301A0020030		Hex Bolt M20X30	六角承窩頭螺栓	5	
7	56303B00020037040		Flat Washer M20	平墊圈	5	
8	56301C8010040		Set Screw M10X40	止付內六角螺絲	6	
9	213207004C		Angle Shear Moving Blade	角鐵剪切刀具(活動)	1	
10	213207001B		Angle Shear Stationary blade	角鐵剪切刀具(固定)	2	
11	56301A0016050		Hex Bolt M16X50	六角承窩頭螺栓	4	
12	56303A00016		Spring Washer M16	彈簧墊圈	4	
13	56301A0016055		Hex Bolt M16X55	六角承窩頭螺栓	3	
14	56303A00016		Spring Washer M16	彈簧墊圈	3	
15	213409900	213209003	Rd/Sq Shear Holddown	圓方壓板	1	
		213402022				
		213402023				
16	213210900	213210009	Shear Holddown Screw	平板,圓方壓塊移動螺桿	1	
17		211310011	Holddown Screw End Piece	調整螺桿拉塊	1	
18		56306S0060030	Spring Pin Ø6X30	彈簧銷	1	
19	56314DIN633576		Fix Nut for Holddown	十字旋鈕(不銹鋼)	2	
20	56303B11020040		Flat Washer M16	平墊圈	2	
21	213209001		Rd/Sq Shear Stationary Blade	圓方刀具(固定)	1	
22	213209002		Rd/Sq Shear Moving Blade	圓方刀具(活動)	1	
23	211309004		Rd/Sq Shear Blade Fix Plate	圓方刀具固定塊	2	
24	56301A0012020		Hex Bolt M12X20	六角承窩頭螺栓	4	
25	56301C8010050		Set Screw M10X50	止付內六角螺絲	4	
26	56302B0110		Nut M10	螺帽	10	
27	213207006A		Angle Holddown Screw	L型鐵座調整螺桿	1	

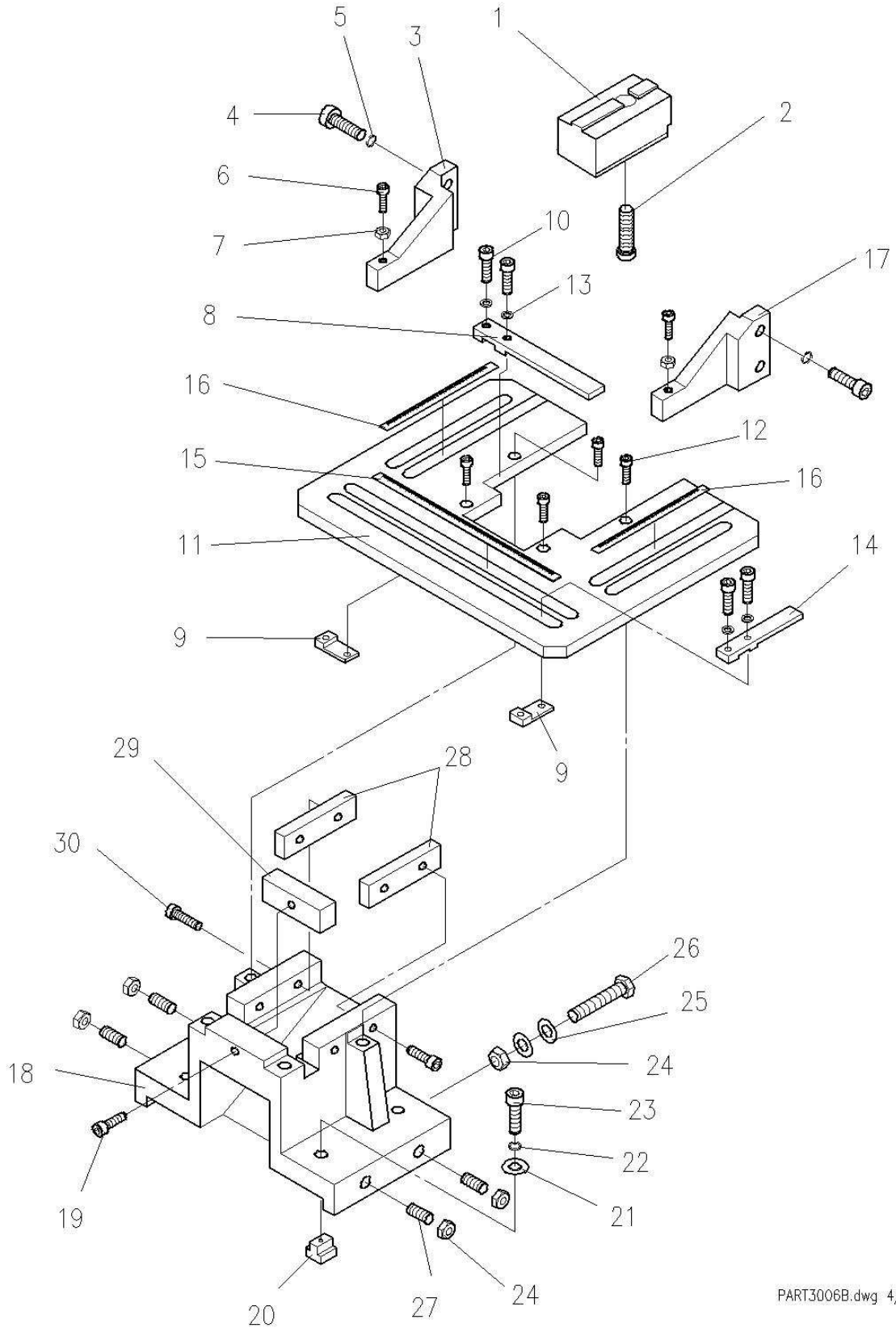


# Flat Shear Station for IW-60H & IW-S/SD





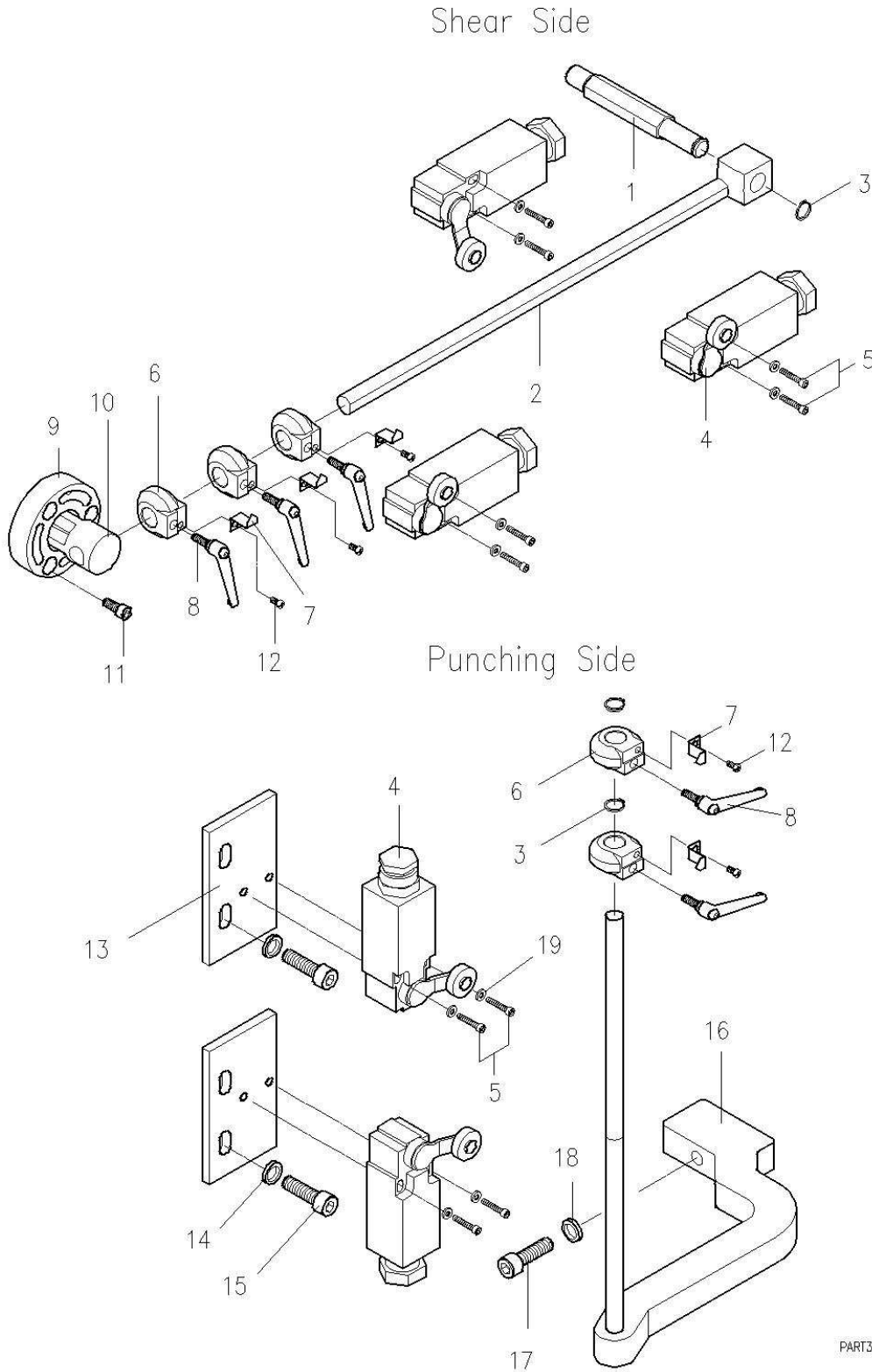
# Notching Station Assembly for Double Cylinder Models



Model: **IW-100S/SD,125S/SD**Part: **Notching Station**Date: 02/2012

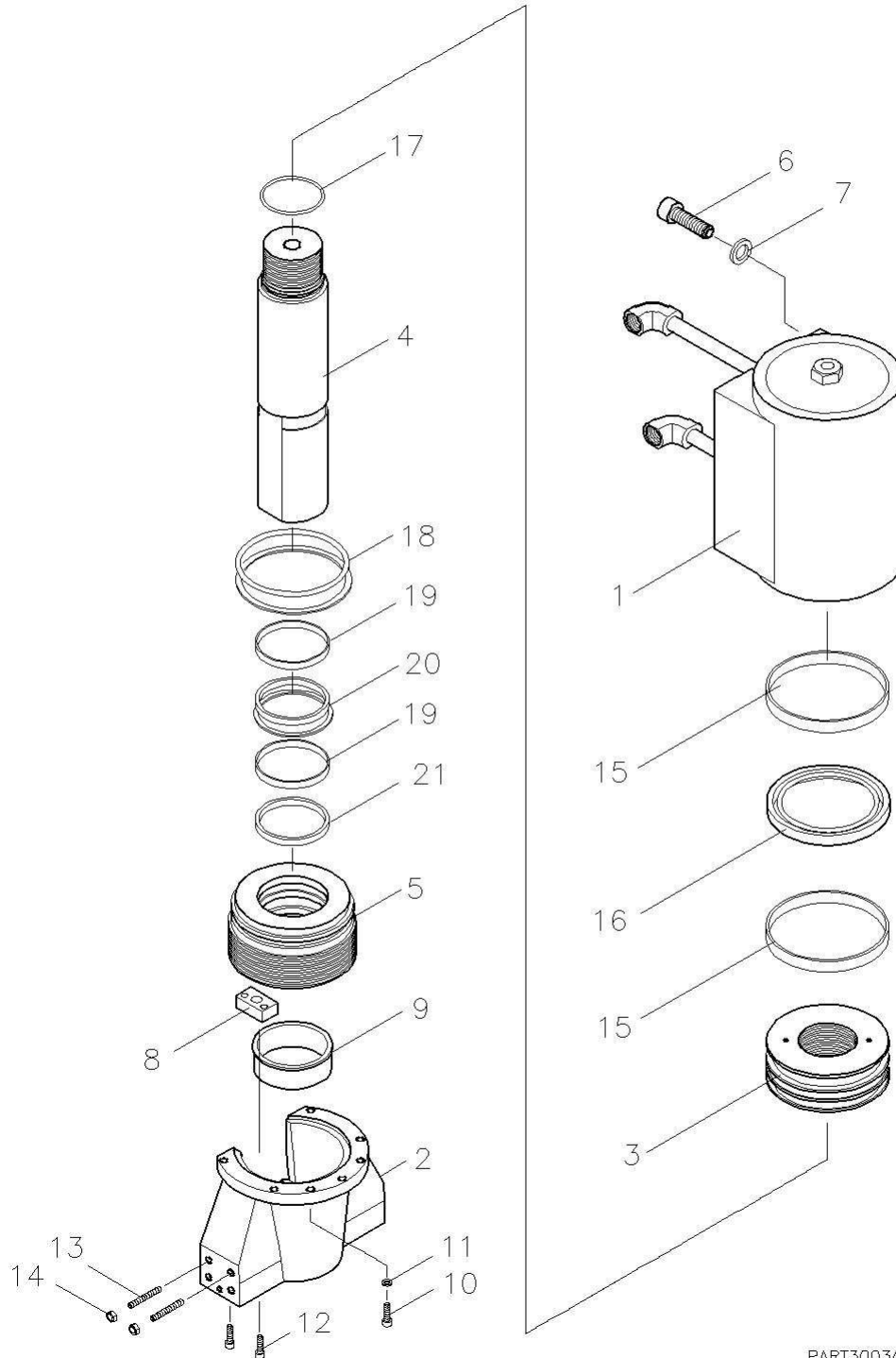
Item	Part Number	Description	產品名稱	Q'ty	Memo	
1	213406001B	Notcher Top Blade	方形剪角上刀(TOP)	1		
2	56301A0018045	Hex Bolt M18X45	六角承窩頭螺栓	1		
3	211306004A	Notching Stripper (left)	剪角剝料器(左)	1		
4	56301A0012035	Hex Bolt M12X35	六角承窩頭螺栓	4		
5	56303A00012	Spring Washer M12	彈簧墊圈	4		
6	56301A0008050	Hex Bolt M8X50	六角承窩頭螺栓	2		
7	56302B0108	Nut M8	六角螺帽	2		
8	213406100	213206003A	Stopper Plate (long)	工作板定位塊	1	
9		211605009A	Clamping Plate	定位板固定滑塊	2	
10		56301A0010040	Hex Bolt M10X40	六角承窩頭螺栓	4	
11		213406003A	Notching Table	剪角工作板	1	
12		56301A0008016	Hex Bolt M8X16	六角承窩頭螺栓	4	
13		56303A00010	Spring Washer M10	彈簧墊圈	4	
14		211606004B	Stopper Plate (Short)	工作板定位塊	1	
15		213206005B	Notching Table Ruler	剪角X軸標尺	1	
16		213206006A	Notching Stopper Guide Ruler	剪角Y軸標尺	2	
17	211306005A	Notching Stripper (right)	剪角剝料器(右)	1		
18	212406004C	Notching Bolster	剪角下模座	1		
19	56301A0010035	Hex Bolt M10X35	六角承窩頭螺栓	1		
20	211305012	T-Shaped Nut M12	T形螺帽	4		
21	56303D00012024045	Flat Washer M12	平墊圈	4		
22	56303A00012	Spring Washer M12	彈簧墊圈	4		
23	56301A0012050	Hex Bolt M12X50	六角承窩頭螺栓	4		
24	56302B0112	Nut M12	六角螺帽	6		
25	56303D00012024045	Flat Washer M12	平墊圈	4		
26	56301E0012060	Hex Bolt M12X60	外六角頭螺栓	2		
27	56301C8012035	Set Screw M12X35	止付內六角螺栓	4		
28	211306002F	Notcher Side Blade	方形剪角側刀	2		
29	212406002B	Notcher Front Blade	方形剪角前刀	1		
30	56301A0010020	Hex Bolt M10X20	六角承窩頭螺栓	4		

# Stroke Adjustment for Double Cylinder Models





# Punching Cylinder Assembly for Double Cylinder Models

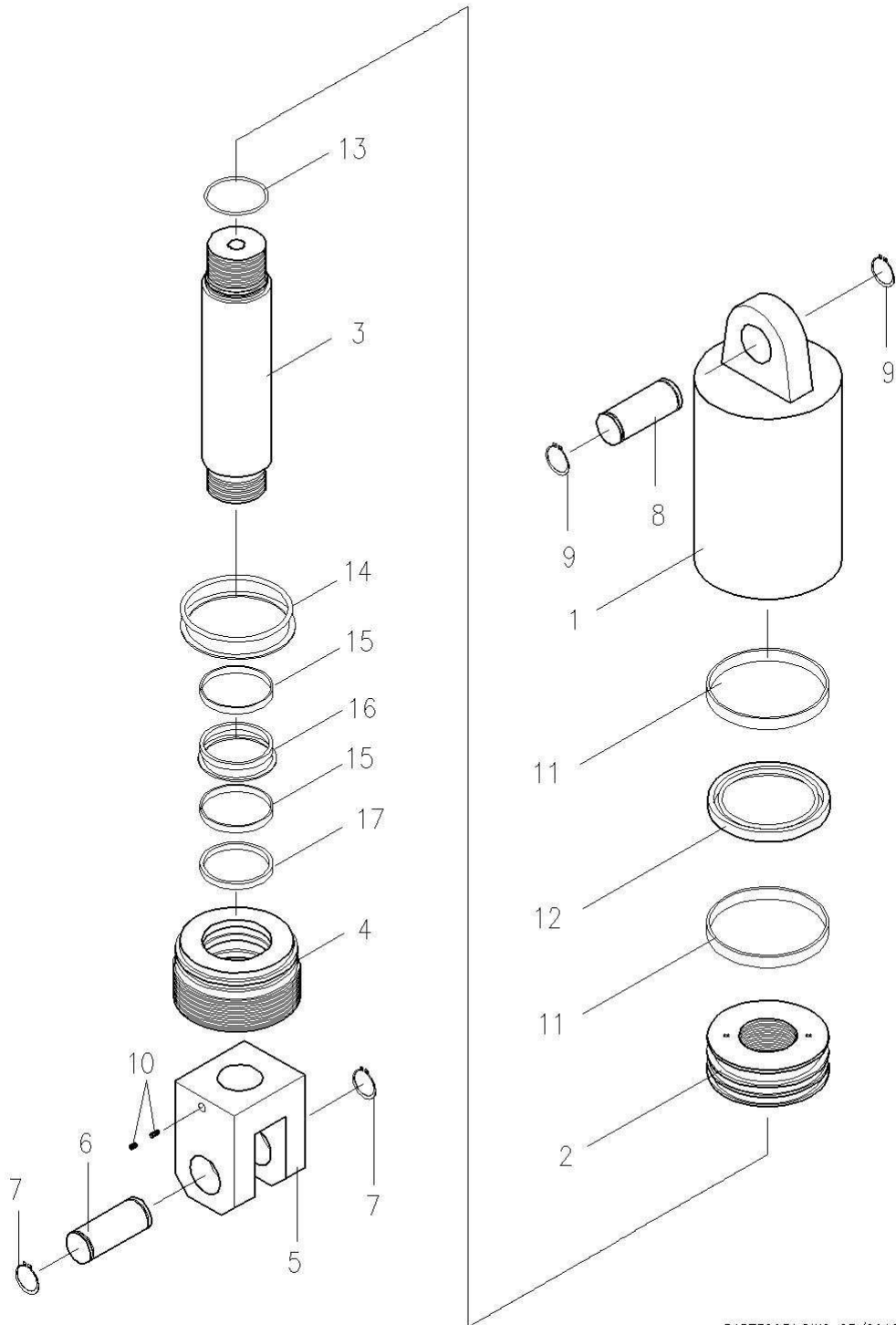


Model: **IW-100S/SD**Part: **Punching Cylinder Assembly**Date: 02/2012

Item	Part Number	Description	產品名稱	Q'ty	Memo	
1	213403912D	Punching Cylinder Pipe	缸管	1		
2	212405001E	Punching Cylinder Guide Cover	沖孔油壓缸套蓋	1		
3	212403010F	Piston	活塞	1		
4	213403008B	Piston Rod	活塞桿	1		
5	213403009A	Cylinder Rod Cover	前蓋	1		
6	56301A0027085	Hex Bolt M27X85	六角承窩頭螺栓	10		
7	56303A00027	Spring Washer M27	彈簧墊圈	10		
8	213205002	Anti-Rotation Guide Plate	止動塊	1		
9	212605003	Ram Guide Bushing	油壓缸套蓋襯套	1		
10	56301A0012045	Hex Bolt M12X45	六角承窩頭螺栓	7		
11	56303A00012	Spring Washer M12	彈簧墊圈	7		
12	56301A0010045	Hex Bolt M10X45	六角承窩頭螺栓	2		
13	56301C8012070	Set Screw M12X70	止付內六角螺栓	2		
14	56302B0112	Nut M12	螺帽	2		
15	534013403910B	53407W290000750	Wear Ring	耐磨環	2	
16		534020203R543909000379A	Piston Seal	活塞環	1	
17		534032240 534048240	O-Ring + Back Up Ring	O型環+背托環	1	
18		534032446 534048446	O-Ring + Back Up Ring	O型環+背托環	1	
19		53407W252500500	Wear Ring	耐磨環	3	
20		5340537505000625B 534041460127003	U Packing + Back Up Ring	U型油封+背托環	1	
21		53406H5000	Dust Seal	防塵油封	1	

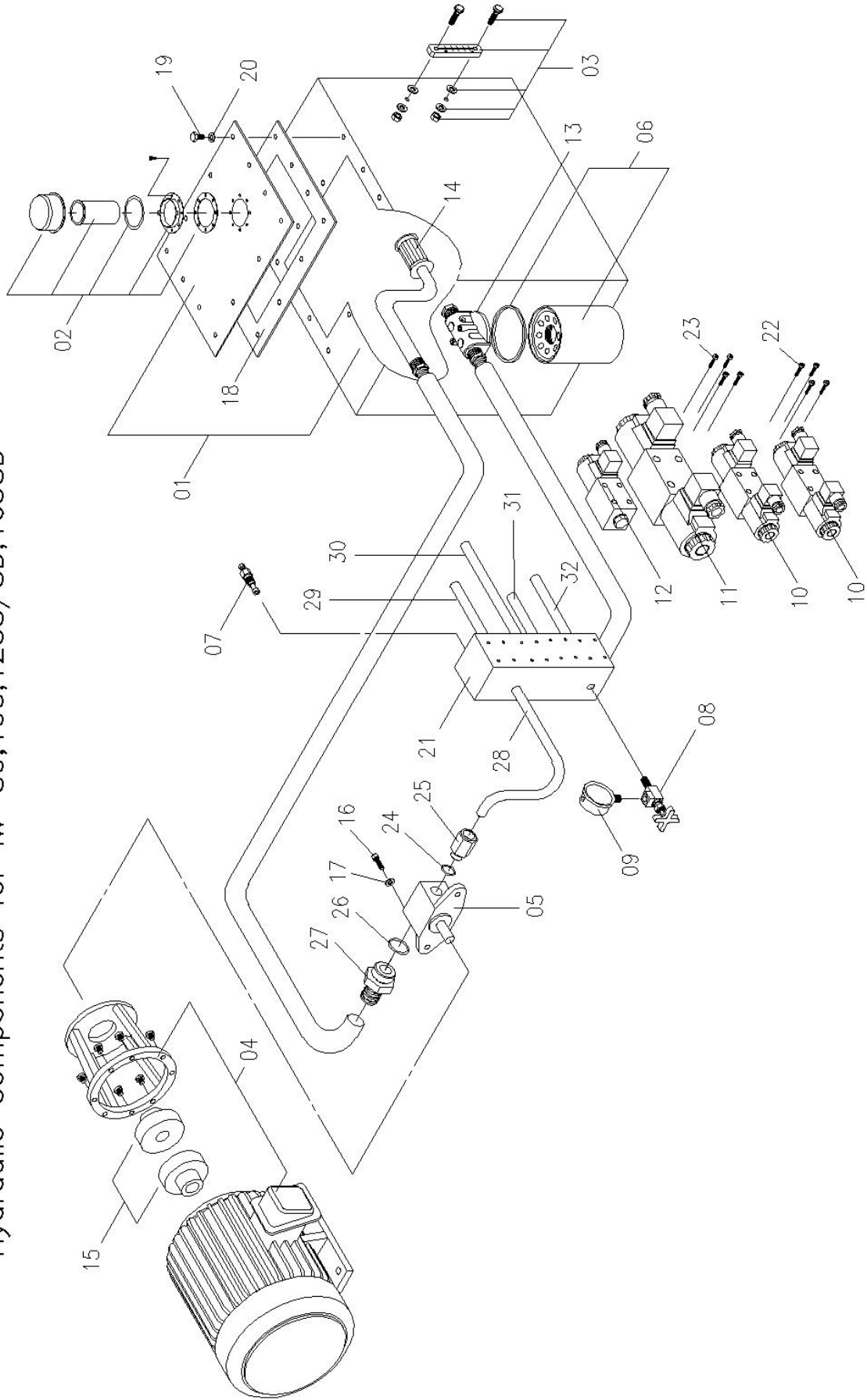


# Shear Cylinder Assembly for Double Cylinder Models





Hydraulic Components for IW-80,100,125S/SD,165SD



3212B01.DWG 09/2006



## SUNRISE Fluid Power Inc.

No. 7, Road 12, Industrial Zone, Taichung City 407, Taiwan

Tel: 886-4-2359-1190

Fax: 886-4-2359-3409

sales@sunriseiw.com.tw

www.sunriseiw.com.tw

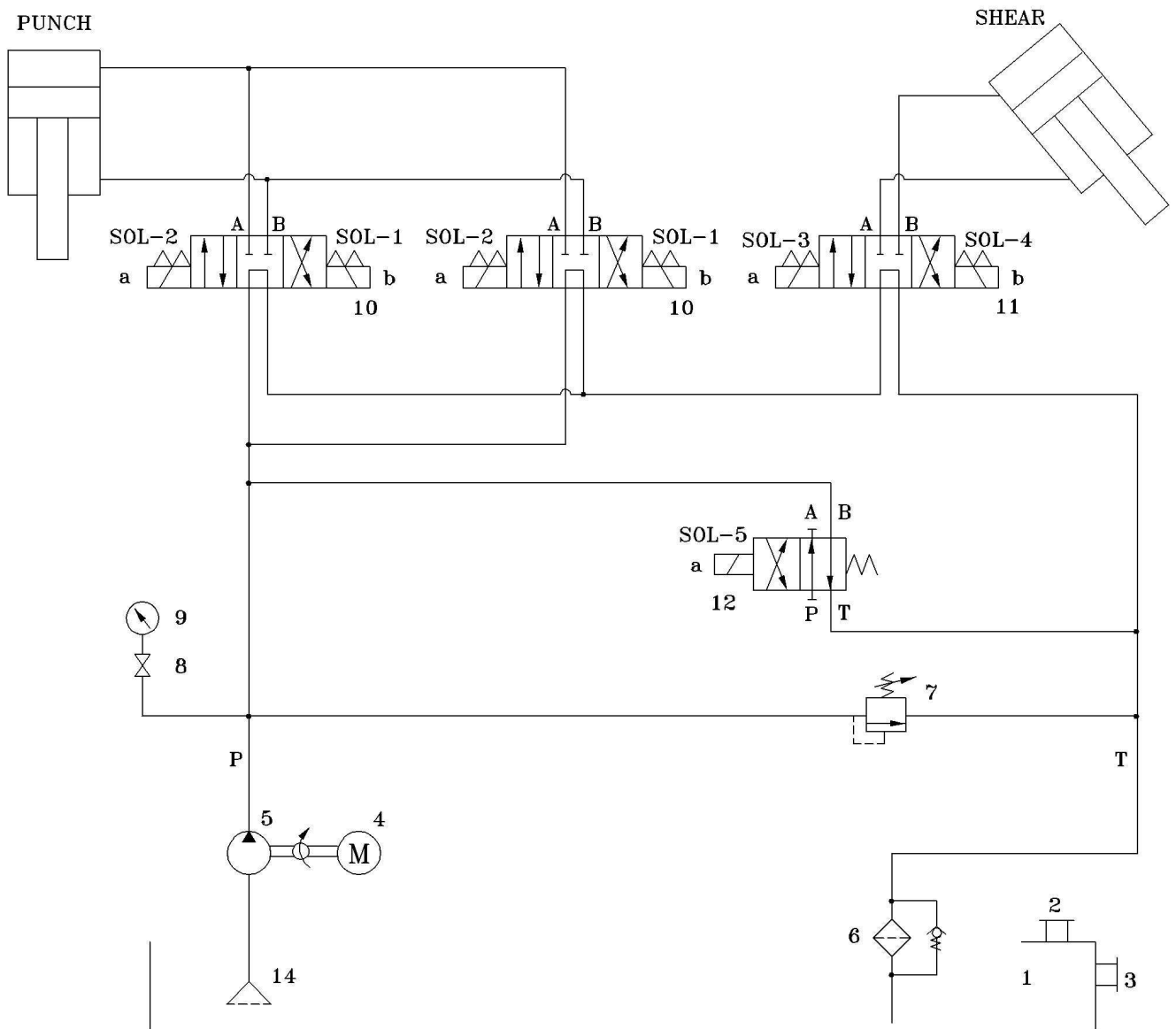
Model: IW-100S/SD Part: Hydraulic Components Assembly Date: 02/2012

Item	Part Number		Description	產品名稱	Q'ty	Memo
1	213402910	213402020B 212002023	Oil Tank	油箱	1	
2	53702HY08A		Breather & Filler	注油器	1	
3	53701LG4		Oil Level Gauge	油面計	1	
4	10HP 50Hz	380V: 52301100JN 400V: 52301100JN 415V: 52301100JN	Motor	馬達	1	
	10HP 60Hz	220V: 52301100FG 230V: 52301100FG 380V: 52301100FG 460V: 52301100FG 575V: 52301100DH				
	10HP 60Hz	220V: 52303100YF 380V: 52303100YF	Motor (Standard For Taiwan)	馬達	1	
5	50Hz: 53201SAL125 60Hz: 53201SAL122		Pump	泵浦	1	
6	53301P550388		Return Filter	回油濾油網	1	
7	53656RPECFAN		Relief Valve	洩壓閥	1	
8	53652ST02L		Gauge Cock	考克	1	
9	53621CBLM63350		Pressure Gauge	壓力錶	1	
10	53651DFA02005		Solenoid Valve DFA-02-3C60	電磁閥	2	
11	53651DFA03003		Solenoid Valve DFA-03-3C60	電磁閥	1	
12	53651DFA02001		Solenoid Valve DFA-02-2B3	電磁閥	1	
13	53302PSI5020B		Return Filter Base	回油濾油網座	1	
14	53301MF106		Suction Filter	吸油濾油網	1	
15	212203019B (19/38)		Connector for Motor and Pump	連軸器	1	
16	56301A0010030		Hex Bolt M10X30	六角承窩頭螺栓	2	
17	56303A00010		Spring Washer M10	彈簧墊圈	2	
18	211303008		Oil Tank Cover Seal	油箱油封	1	
19	56301D0008025		Hex Bolt M8X25	六角頭螺栓	10	
20	56303A00008		Spring Washer M8	彈簧墊圈	10	
21	213203018		Manifold Block	油路板	1	
22	56301A0005045		Hex Bolt M5X45	六角承窩頭螺栓	12	
23	56301A5006035		Hex Bolt M6X35	六角承窩頭螺栓	4	
24	53403P024VT		O-Ring P24	O型環	1	
25	21OLJT003		Oil Joint	泵浦出油口接頭	1	

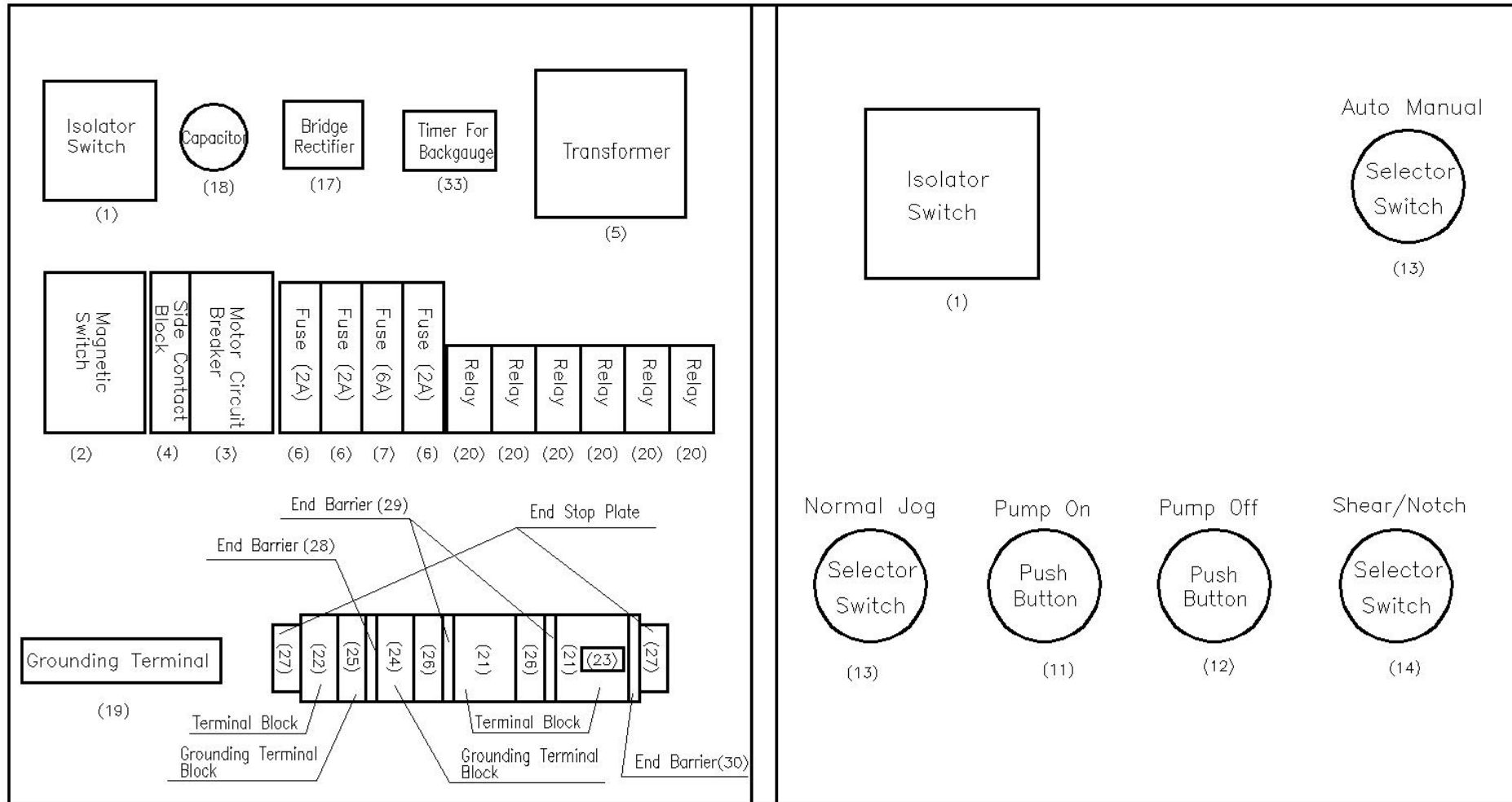


# Hydraulic Circuit

IW-80S/SD  
IW-100S/SD  
IW-125S/SD  
IW-165SD



## ELECTRIC PANEL DIAGRAM IRONWORKER "S/SD" MODELS with ELECTRIC BACKGAUGE



**IW-80S/SD; 100S/SD ELECTRICAL PARTS**

With Electric Backgauge, CE

02/2012

	Part Number	Code	Name	Manufacturer	Q'ty	產品名稱	Memo
1	220V: 52407OT63F3 230V: 52407OT63F3 380V: 52407OT40F3 415V: 52407OT40F3 460V: 52407OT63F3 575V: 52407OT25F3	QS	Isolator Switch	ABB Control OY	1	電源開關	
2	220V: 52401LC1D32B7 230V: 52401LC1D32B7 380V: 52401LC1D18B7 415V: 52401LC1D18B7 460V: 52401LC1D32B7 575V: 52401LC1D12B7	KM	Magnetic Switch	TE	1	電磁接觸器	
3	220V: 52402GV3P40 230V: 52402GV3P40 380V: 52402GV2ME20 415V: 52402GV2ME20 460V: 52402GV2ME20 575V: 52402GV2ME16	QF	Motor Circuit Breaker	TE	1	馬達啓動斷路器	
4	52419GVAN11		Side Contact Block	TE	1	輔助接點	
5	220V: 524032201510 230V: 524035751520 380V: 524032201510 415V: 524032201510 460V: 524035751520 575V: 524035751520	TR	Transformer	SUENN LIANG	1	變壓器	
6	52801A02A	FU1,FU2, FU4	Fuse	Bussmann	3	保險絲	
7	52801A10A	FU3	Fuse	Bussmann	1	保險絲	



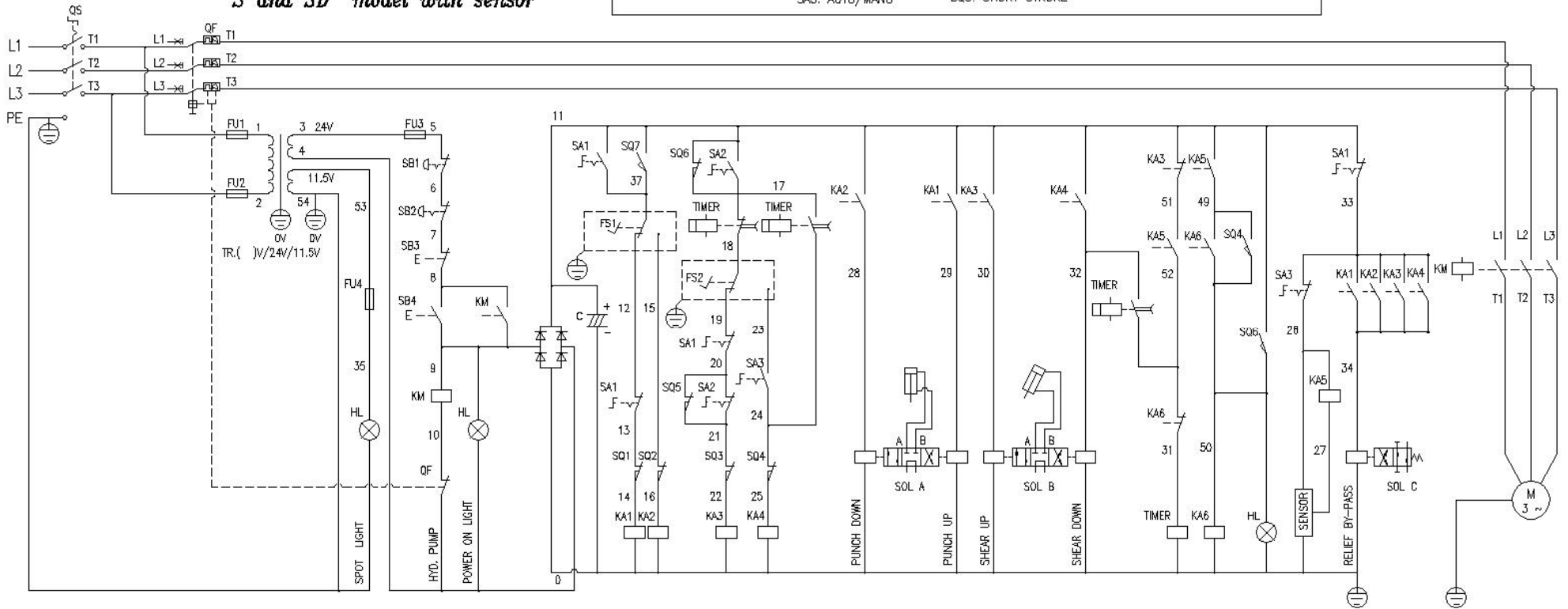
	Part Number	Code	Name	Manufacturer	Q'ty	產品名稱	Memo
8	52801CFBSCHM1D		Fuse Base	Bussmann	4	保險絲座	
9	52421XB5AS542	SB2	Emergency Stop Button (Shear Side)	TE	1	緊急停止	
10	52421XB5AS542	SB1	Emergency Stop Button (Punch Side)	TE	1	緊急停止	
11	52420XB5AW3361	SB4	Pump ON Push Button	TE	1	綠色罩光按鈕	
12	52407XB5AL42	SB3	Pump OFF Push Button	TE	1	泵浦停止	
13	52415ZB5AD2	SA1,SA3	Selector Switch	TE	2	選擇開關	
14	52415ZB5AG2	SA2	Selector Switch	TE	1	選擇開關	
15	52419ZBE101		Normal Open Contact	TE	3	選擇 A 接點	
16	52419ZBE102		Normal Close Contact	TE	3	選擇 B 接點	
17	52202KBPC2506		Bridge Rectifier	FY	1	橋式整流器	
18	522034700UF50V	C	Capacitor	廣華 (Kuan Hua)	1	電容器	
19	527026P		Grounding Terminal	WAGO	1	接地端子台	
20	52404RMIA2YF08AE	KA1~KA6	Relay	Carlo Gavazzi	6	繼電器	
21	52702280901		Terminal Block	WAGO	40	端子匣	
22	220V: 52702284901 380V: 52702282901 415V: 52702282901 575V: 52702282901		Terminal Block	WAGO	3	端子匣	
23	52702280402		Jumper Bar	WAGO	7	短路片	
24	52702280907		Grounding Terminal Block	WAGO	2	接地端子匣	
25	220V: 52702284907 380V: 52702282907 415V: 52702282907 575V: 52702282907		Grounding Terminal Block	WAGO	1	接地端子匣	
26	52702280681		Terminal Block	WAGO	4	端子匣	
27	52702249117		End Stop Plate	WAGO	2	擋片	

	Part Number	Code	Name	Manufacturer	Q'ty	產品名稱	Memo
28	52702282325		End Barrier	WAGO	1	端板	
29	52702280324		End Barrier	WAGO	2	端板	
30	52702280308		End Barrier	WAGO	1	端板	
31	52702261301		Terminal Block	Wago	2	端子匣	
32	52702261361		End Barrier	Wago	1	端板	
33	52405H3M1	TIMER	Timer for Backgauge	Fotek	1	計時器	
34	56294202504		4 Pin Connector For Backgauge	PLT	1	金屬接頭	
35	524092XS212BLNAL2	SENSOR	Proximity Sensor for Backgauge	TE	1	近接開關	
36	52413YC135D	FS1,FS2	Foot Switch	SSUPOU	2	腳踏開關	
37	52811AL201WTG23012	HL	Halogen Lamp	ARC	1	石英燈	
38	52411XCKN2118G11	SQ1~SQ5	Limit Switch for Stroke Adjustment	TE	5	微動開關	
39	52411TZ7311	SQ6	Limit Switch for Notcher	Tend	1	剪角微動開關	
40	52411TZ7312	SQ7	Limit Switch for Stripper	Tend	1	剝料微動開關	

# Electrical Circuit (CE)

"S" and "SD" model with sensor

- |                        |                     |                      |                             |
|------------------------|---------------------|----------------------|-----------------------------|
| SB1: EMERGENCY STOP(A) | FS1: FOOT SWITCH(1) | SQ1: PUNCH UP STOP   | SQ6: NOTCH SAFETY INTERLOCK |
| SB2: EMERGENCY STOP(B) | FS2: FOOT SWITCH(2) | SQ2: PUNCH DOWN STOP | SQ7: PUNCH SAFETY INTERLOCK |
| SB3: PUMP OFF          | SA1: NORMAL/JOG     | SQ3: SHEAR UP STOP   | QF: MOTOR CIRCUIT BREAKER   |
| SB4: PUMP ON           | SA2: SHEAR/NOTCH    | SQ4: SHEAR DOWN STOP |                             |
|                        | SA3: AUTO/MANU      | SQ5: SHORT STROKE    |                             |



L1	L2	L3	PE	G	G	37	12	15	18	19	23	5	6	6	7	13	14	15	16	21	22	24	25	49	50	20	21	11	17	50	50	0	11	37	28	29	30	32	34	26	27	0	0	0	0	0	0	0	35	54
POWER SOURCE						FS1	FS2		SB1	SB2	SQ1	SQ2	SQ3	SQ4	SQ5	SQ6	HL	SQ7	SOL A	SOL B	SOL C	SENSOR	LAMP																											